

ST303/ST305

ASSEMBLY INSTRUCTIONS

NOTES:

- MODEL ST303 STAND IS DESIGNED SPECIFICALLY FOR USE WITH EMERSON HERITAGE STEREO SYSTEM MODEL NR303TT.
- MODEL ST305 STAND IS DESIGNED SPECIFICALLY FOR USE WITH EMERSON HERITAGE STEREO SYSTEM MODEL NR305TT.
- TOOLS REQUIRED – SCREWDRIVER (SLOTTED OR PHILLIPS TYPE)

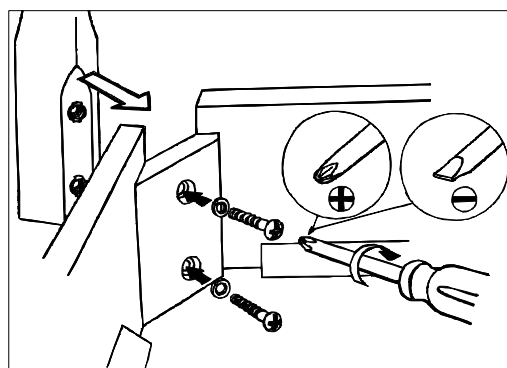
THIS CARTON CONTAINS:

- A.) TABLETOP x 1.
- B.) SOLID WOOD LEGS x 4.
- C.) MACHINE SCREWS x 8.
- D.) LOCK WASHERS x 8.

IMPORTANT: THE TABLETOP MUST BE TURNED UP-SIDE DOWN FOR ASSEMBLY. TO AVOID SCRATCHING THE FINISH ON THE TABLETOP IT SHOULD BE ASSEMBLED IN A CARPETED AREA IF POSSIBLE. IF YOU ARE ASSEMBLING THE STAND ON A BARE FLOOR PLEASE PLACE A TOWEL, BLANKET, OR SIMILAR PADDING ON THE FLOOR BENEATH THE TABLE TOP TO PROTECT THE FINISH DURING ASSEMBLY.

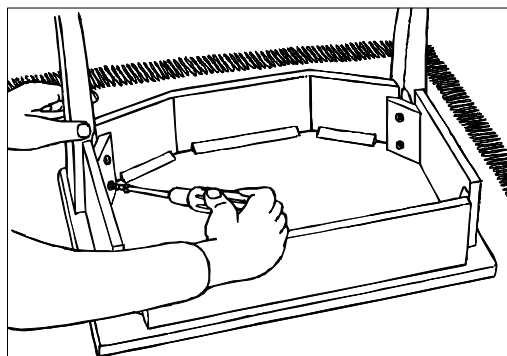
1.) PLACE THE TABLETOP UP-SIDE DOWN ON A SOFT PADDED SURFACE.

2.) POSITION ONE LEG ON ONE CORNER OF THE TABLE TOP AS SHOWN SO THAT THE PRE-DRILLED HOLES ON THE LEG LINE UP WITH THE HOLES IN THE CORNER BRACKET OF THE TABLE TOP.



3.) PLACE A LOCK WASHER OVER EACH SCREW.

4.) INSERT ONE SCREW WITH WASHER THROUGH ONE OF THE HOLES IN THE CORNER BRACKET AND INTO THE CORRESPONDING THREADED TUBE IN THE TABLE LEG. TIGHTEN JUST ENOUGH TO HOLD THE LEG IN PLACE. THEN INSERT THE SECOND SCREW WITH WASHER AND SECURELY TIGHTEN BOTH SCREWS.



5.) REPEAT STEPS 2-4 TO SECURE THE REMAINING 3 LEGS. RECHECK ALL 8 SCREWS TO MAKE SURE THEY ARE TIGHT AND THEN TURN THE TABLE RIGHT SIDE UP.

NOTE: IF THE TABLE IS MOVED FREQUENTLY IT SHOULD ALWAYS BE LIFTED, NEVER DRAGGED. IT IS A GOOD IDEA TO RECHECK, AND IF NECESSARY RE-TIGHTEN THE SCREWS WHENEVER THE TABLE IS MOVED.